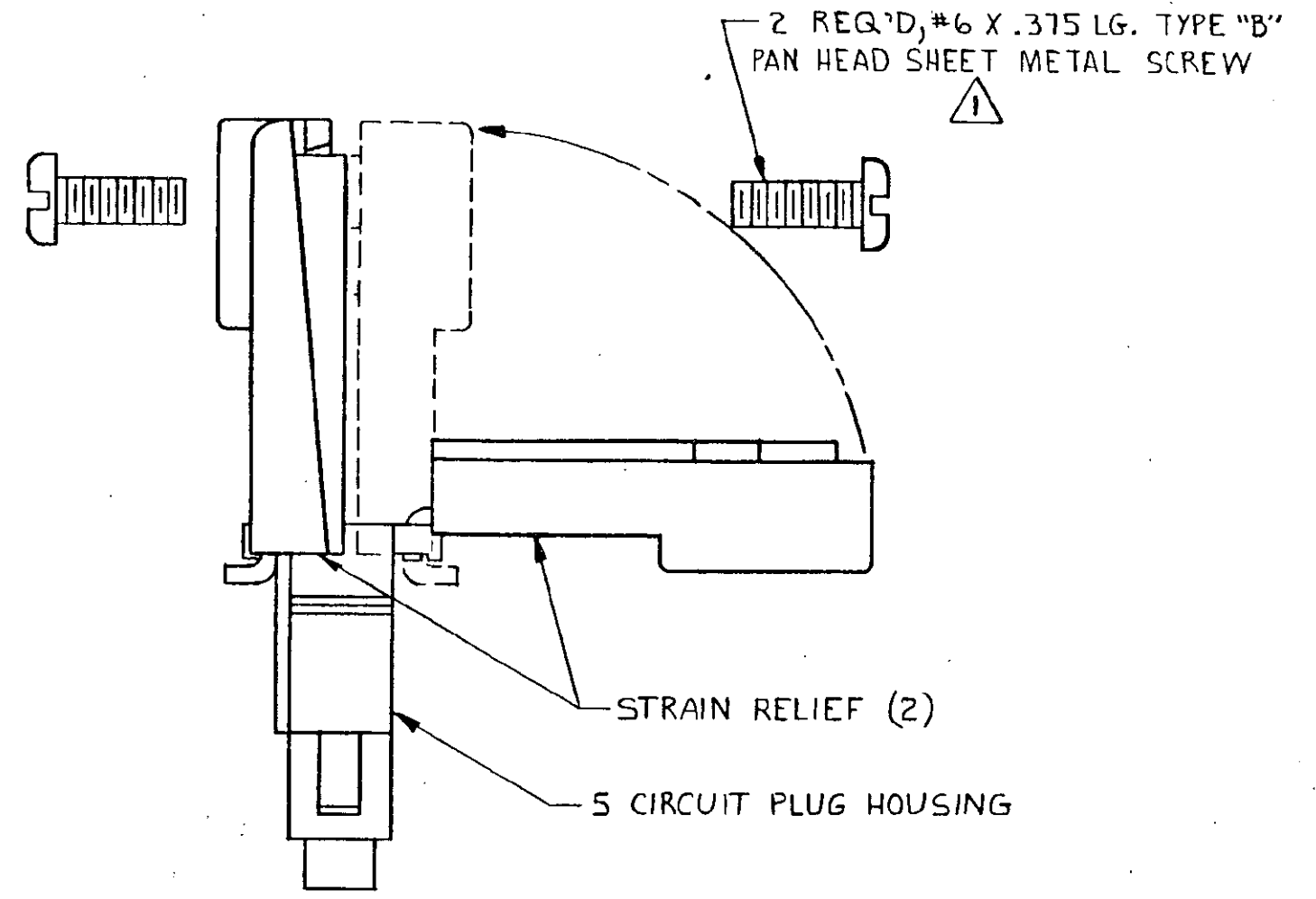
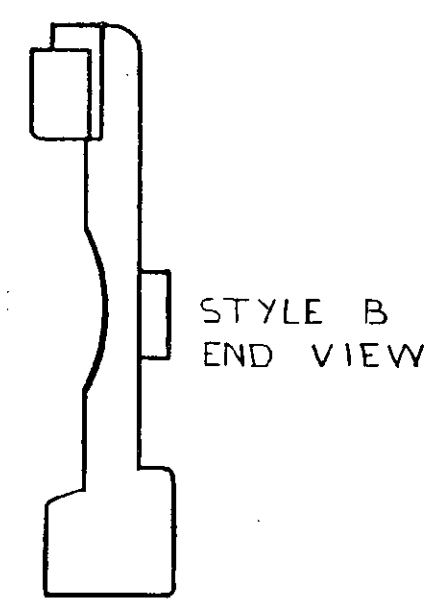
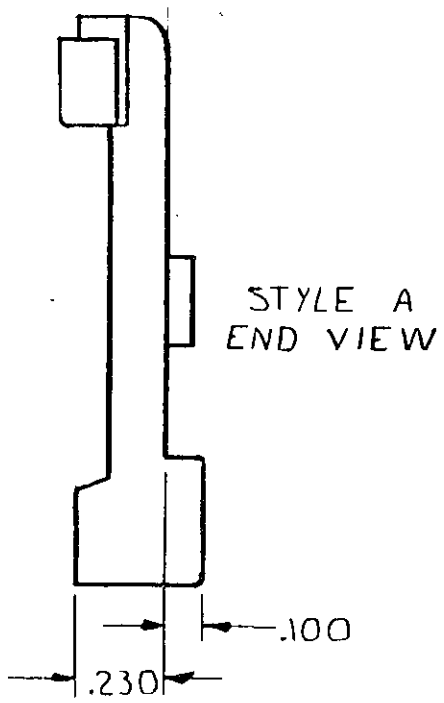
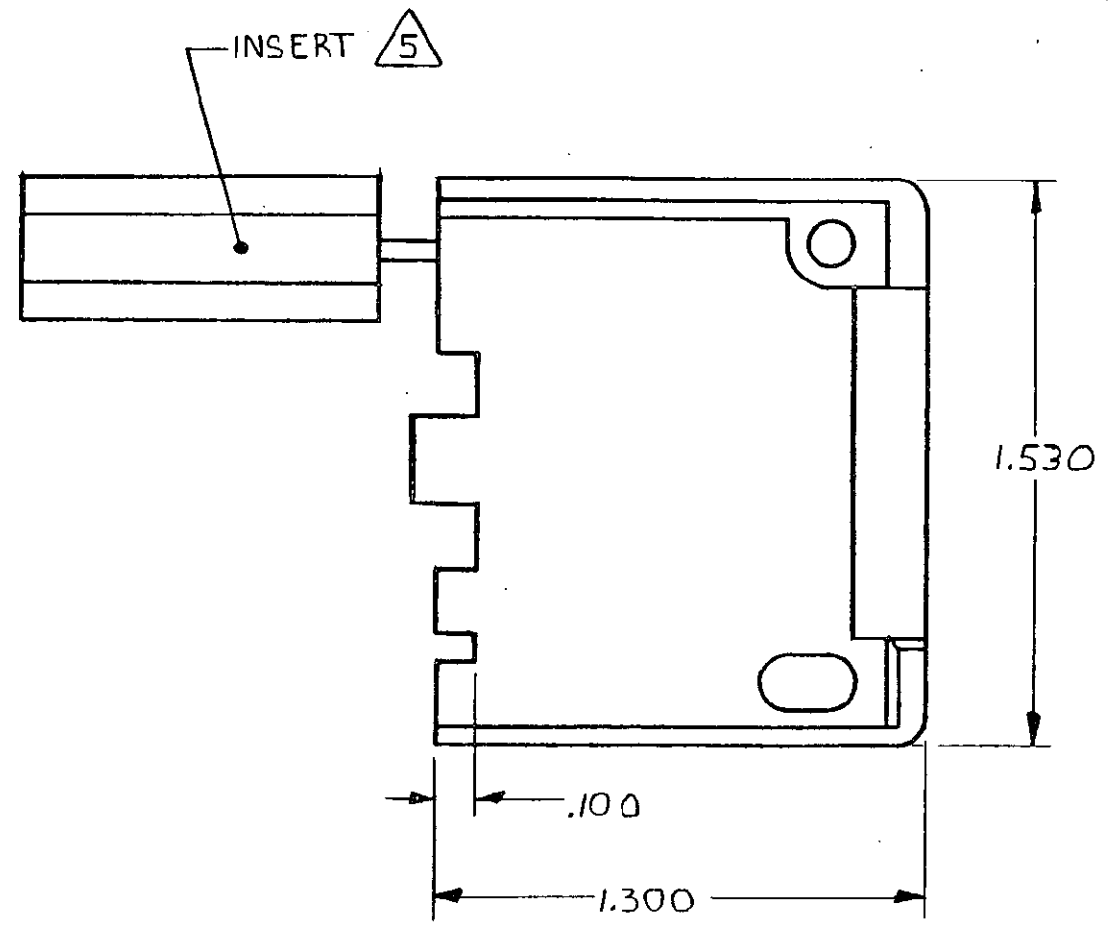
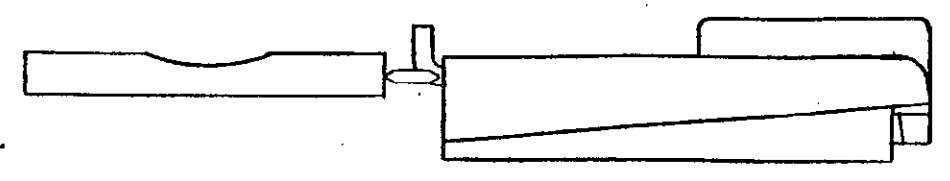


THIS DRAWING IS UNPUBLISHED. RELEASED FOR PUBLICATION, 19
 © COPYRIGHT 19 BY AMP INCORPORATED, HARRISBURG, PA. ALL INTERNATIONAL RIGHTS RESERVED. AMP PRODUCTS MAY BE COVERED BY U.S. AND FOREIGN PATENTS AND/OR PATENTS PENDING.

| REVISIONS | | | | | | |
|-----------|---|------|----------------|----------------------------|---------|----------|
| P | F | ZONE | LTR | DESCRIPTION | DATE | APPROVED |
| ✓ | | | 0 | RELEASE DRAWING PER M-6939 | 5-11-82 | MSF/DH |
| ✓ | | | A | Added 643030-4, TTI B2-164 | 1/22/83 | WV/DH |
| ✓ | | | A ₁ | RESTORED | 7/11/85 | BD RS |
| ✓ | | | B | REV PER ECN CM 705 | 12/1/86 | TB / RS |
| ✓ | | | C | REV PER EC 0730-0201-94 | 4-26-85 | JM RS |



- ⚠ SHEET METALS SCREWS NOT SUPPLIED. TWO REQUIRED PER CONNECTOR.
- 3. STYLE A; MAX WIRE BUNDLE WITHOUT INSERT IS 5 AT .190 DIA, AND MIN WIRE BUNDLE WITH INSERT IS 5 AT .040 DIA.
- 4. STYLE B; DESIGNED TO ACCEPT CABLE WITH .200-.350 OUTSIDE DIAMETER.
- 6. DETACHABLE INSERT MAY SEPARATE FROM STRAIN RELIEF BODY DURING SHIPPING.

| NO INSERT | BRICK RED OR WHITE | NYLON 94V-0 | STYLE B | 643030-4/2 |
|-------------|--------------------|-------------|----------|------------|
| WITH INSERT | NATURAL | NYLON 94V-2 | STYLE A | 643030-3/2 |
| NO INSERT | | | STYLE B | 643030-2/2 |
| WITH INSERT | BRICK RED OR WHITE | NYLON 94V-0 | STYLE A | 643030-1/2 |
| | 5 | COLOR | MATERIAL | TYPE |
| | | | | PART NO |

| | | | | |
|--|-------------|---------------------------|---|--------|
| UNLESS OTHERWISE SPECIFIED DIMENSIONS ARE IN INCHES. TOLERANCES ON: DECIMALS ±.015 ANGLES ± | CONTRACT NO | | AMP AMP INCORPORATED Harrisburg, Pa. 17105 | |
| | DR | <i>m. Feker 5-11-82</i> | | |
| MATERIAL SEE TABLE | CHK | <i>D.S. Heide 6/1/82</i> | NAME STRAIN RELIEF AND INSERT, UNIVERSAL MATE-N-LOK™, 5 CIRCUIT | |
| | APPD | <i>G.E. Acella 6/1/82</i> | SIZE | C |
| | DSGN APPD | | FSCM NO | 00779 |
| | OTHER APPD | | DRAWING NO | 643030 |
| | | | SCALE | 2-1 |
| | | | SHEET 1 OF 1 | |